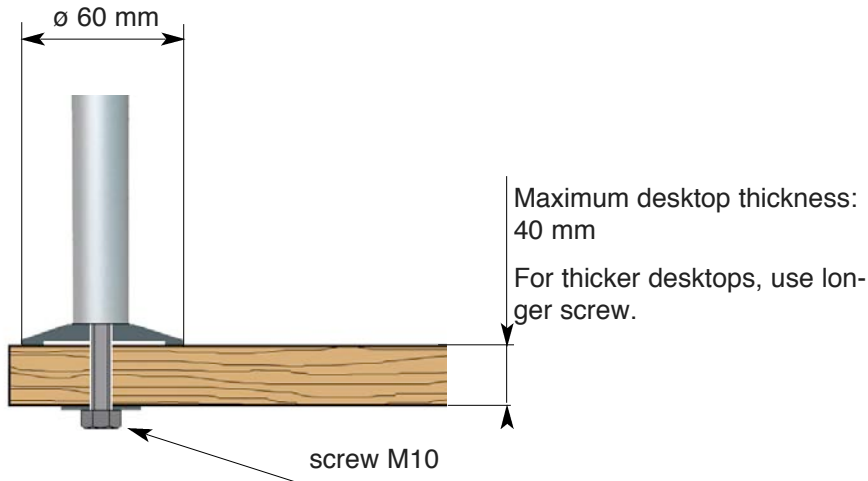


## THROUGH-DESK FIXING

Machine-tooled stainless steel base.  
Mounted through  $\varnothing$  10 mm hole in desktop.

Colour: stainless steel.



## GROMMET FIXING

Moulded zamak base.  
Mounted through  $\varnothing$  60 mm hole in desktop.

Colour: stainless steel.

