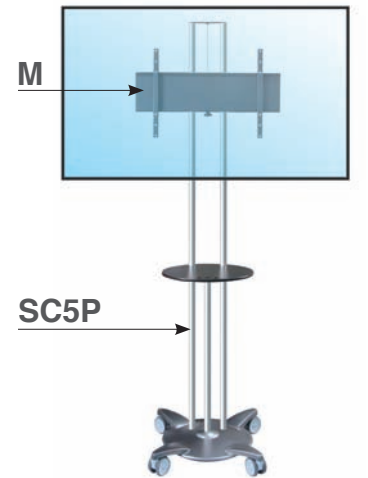
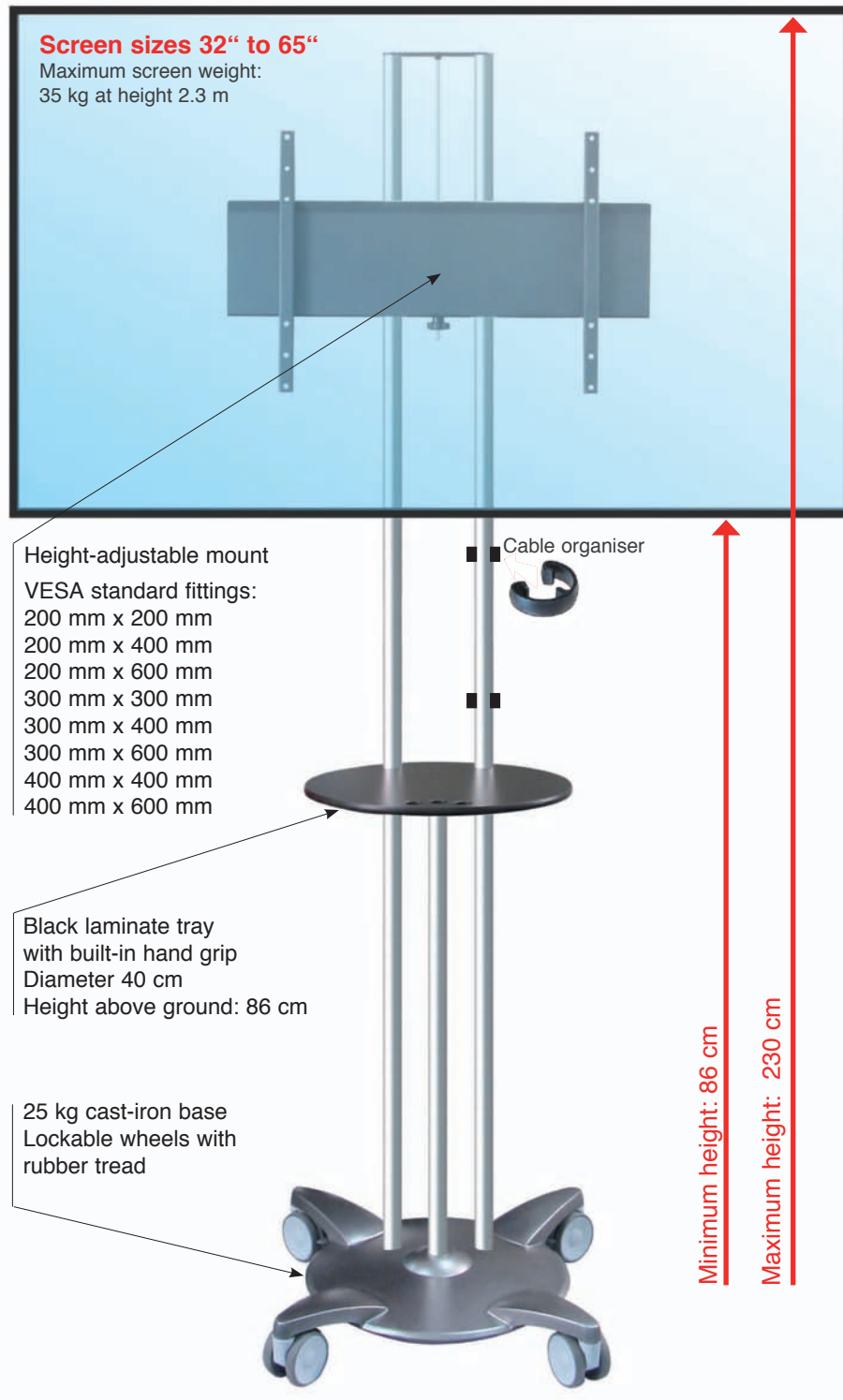
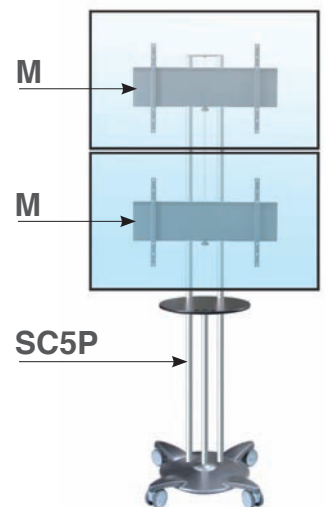


MOBILE STAND FOR WIDE-SCREEN TELEVISIONS

Exceptional stability for such a small footprint thanks to the 25 kg travelling base with its centre of gravity midway between the wheels.



for 1 screen (max 65")
reference: **SC 5P + 1M**



for 2 screens (max 46")
reference: **SC5P + 2M**

