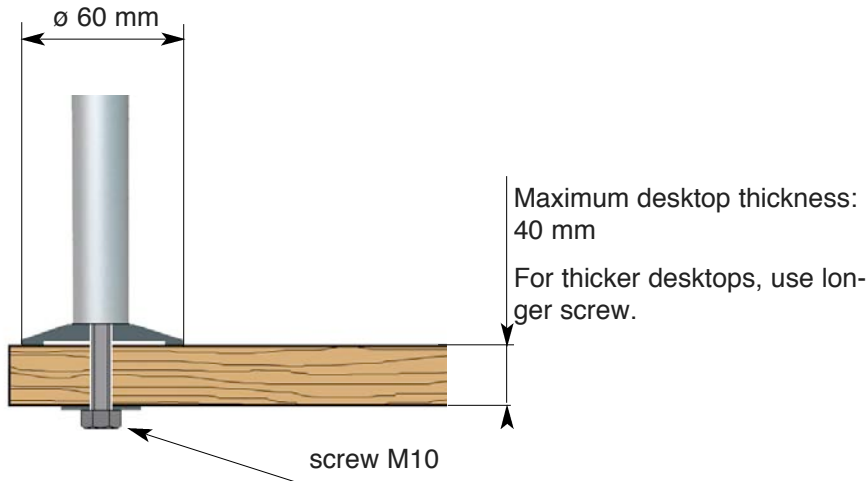


THROUGH-DESK FIXING

Machine-tooled stainless steel base.
Mounted through \varnothing 10 mm hole in desktop.

Colour: stainless steel.



GROMMET FIXING

Moulded zamak base.
Mounted through \varnothing 60 mm hole in desktop.

Colour: stainless steel.

