

Ball and socket mount (ID patent)

Screen height adjustment

Easy up/down height adjustment with lateral wheel lock.
Locking with hidden security screw optional.

Screen tilt adjustment

50° (25° up / 25° down).

Screen direction adjustment

360° around the pole.

Horizontal screen adjustment

Very easy horizontal adjustment after mounting.
Patented system permits full 360° screen rotation (portrait/landscape positions).

Adjustment for different screen weights

For smooth angle and tilt adjustment, use built-in wing nut to tighten
or loosen ball and socket to suit screen weight (maximum 20 kg).

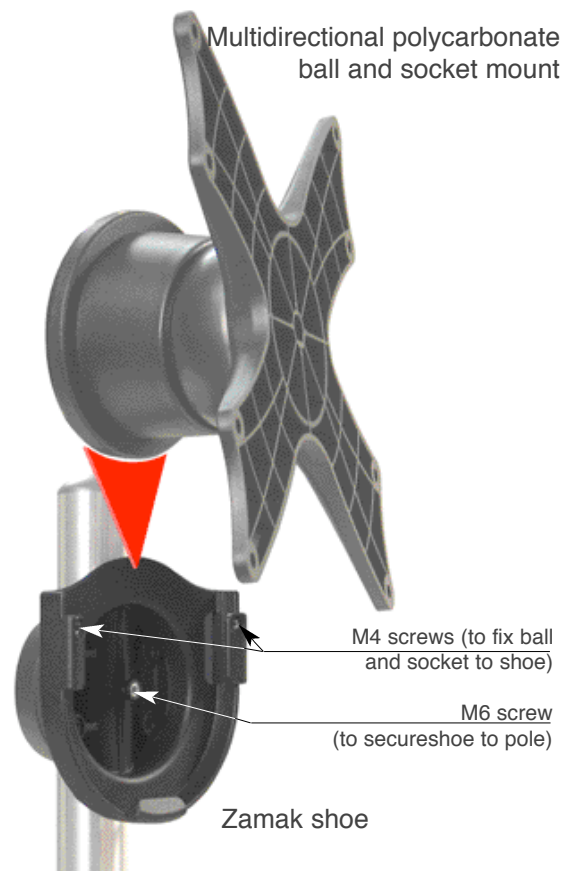
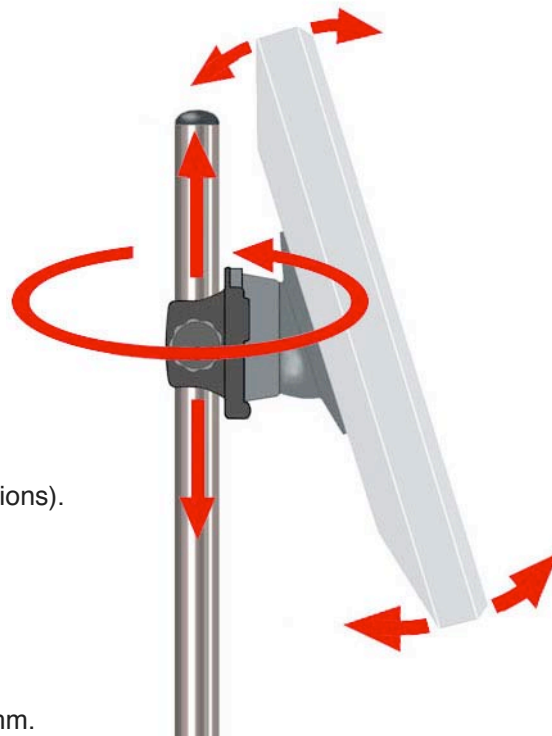
VESA screw pattern standards

For screens with VESA standards 100 mm x 200 mm & 200 mm x 200 mm.

Anti-theft system

Two M4 security screws fix the ball and socket to the zamak shoe, concealing another M6 security screw that locks the shoe to the pole.

Colour: black



	20" / 40" 50cm / 116cm
--	---

	20 kg
--	--------------

	VESA	100x200 200x200
--	-------------	----------------------------------