

Multidirectional wall support for LCD screen

Horizontal adjustment

Very easy horizontal adjustment after mounting on wall.
Screen pivots 360°

50° screen tilt adjustment

(25° up / 25° down)

50° screen angle adjustment

(25° right / 25° left)

Ball and socket firmness

For smooth angle and tilt adjustment, use wing nut to tighten or loosen ball and socket to suit screen weight (max. 25 kg).

VESA screen mounting standards

For 100 mm x 200 mm & 200 mm x 200 mm VESA standards.

Protection from theft

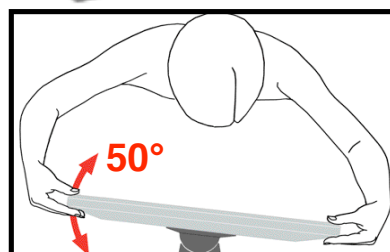
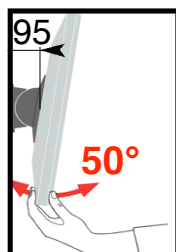
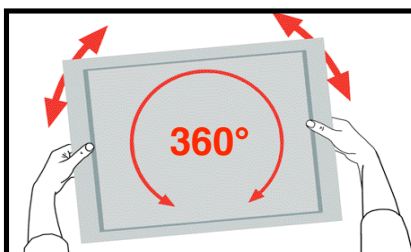
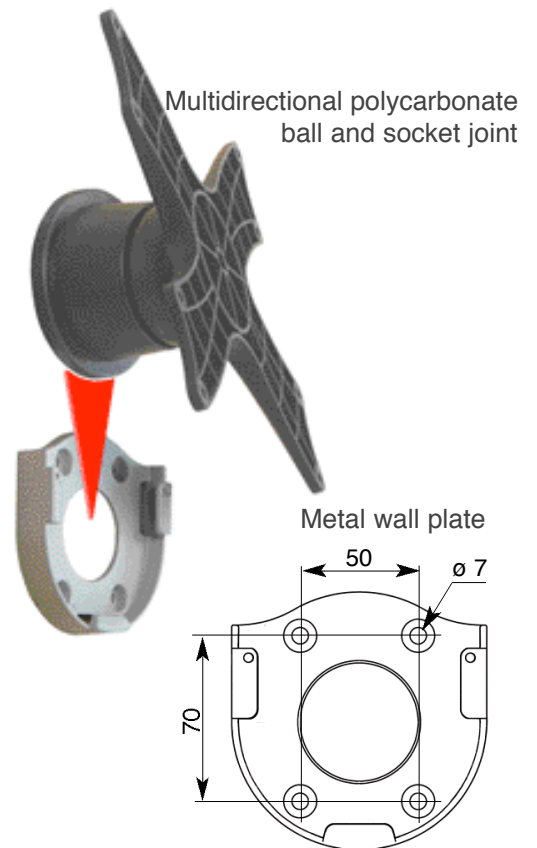
Two Ø4 screws lock the ball and socket mount to the wall plate, concealing the screws in the wall. Anti-theft screws (not supplied) may be used for added security.

Colour

Black / silver

Guarantee

5 years



	20" / 40" 50cm / 116cm
	25 kg
	VESA 100x200 200x200